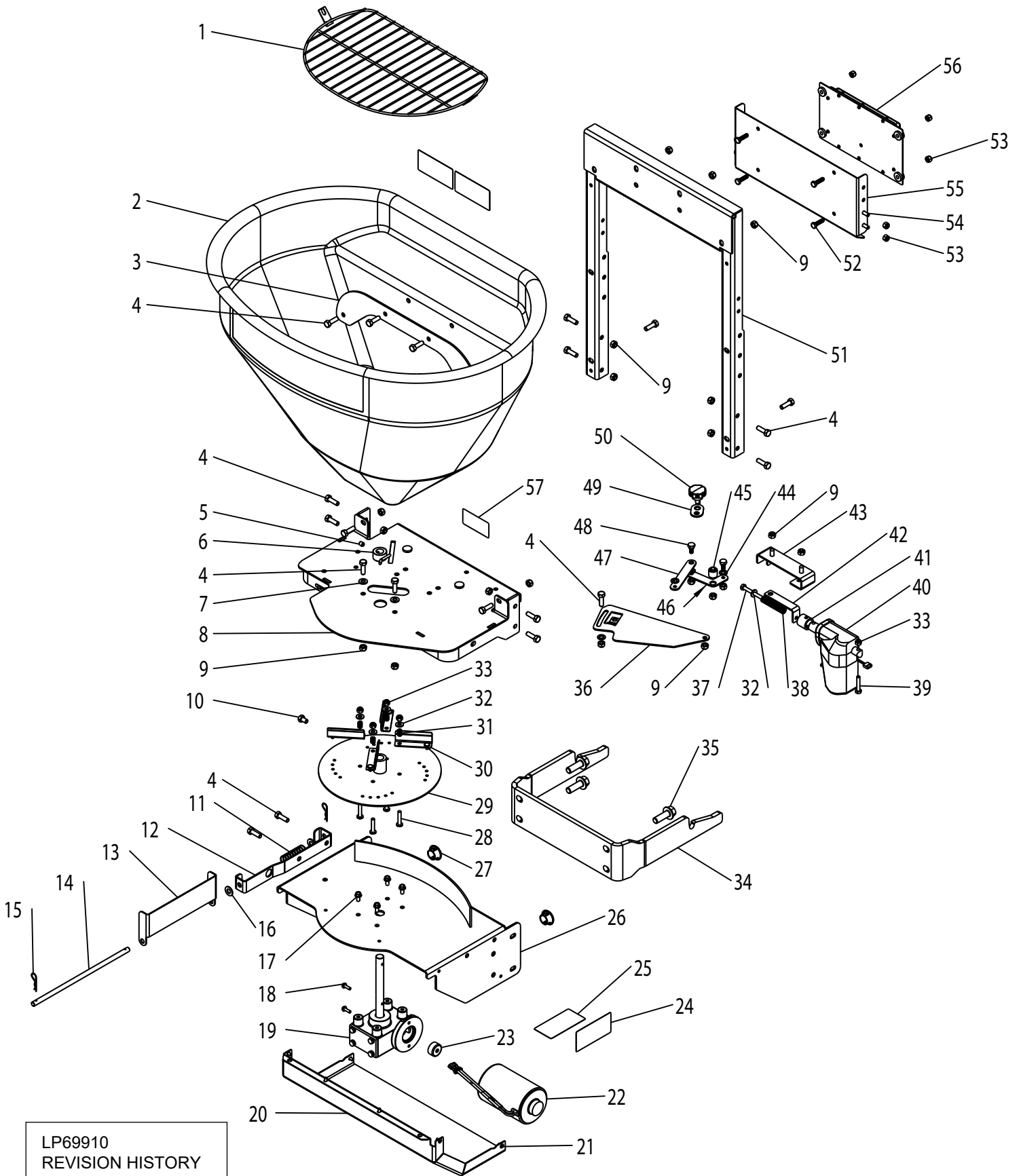


LP69910 - 3 cu ft Gator Fertilizer Spreader



LP69910
REVISION HISTORY
Rev. D 02/01/21
Sheet 1 of 2

LP69910 - 3 cu ft Gator Fertilizer Spreader

ITEM NO.	PART NUMBER	DESCRIPTION	QTY.
1	ST50361	Hopper Screen	1
2	ST50347	Hopper, 3 cu. ft.	1
3	ST50676	Backing Plate	1
4	ST65111	Bolt, 5/16"-18 X 1" Hex Head S.S.	21
5	ST50323	Set Screw 5/16-18 x 3/8"	1
6	ST50330	Material Agitator, 5/8" X 3/4"	1
7	ST65114	Washer, 5/16" Flat S.S.	2
8	ST50829	Hopper Support Plate	1
9	ST65097	Nut, 5/16"-18 Nylock S.S.	25
10	ST65101	Bolt, 5/16"-18 X 1/2" Hex Head S.S.	1
11	ST50355	Spring, .600 X .045 X 2.5 S.S.	1
12	ST50831	Side Deflector Mount Bracket	1
13	ST50333	Material Deflector	1
14	ST50354	Side Deflector Hinge Rod	1
15	ST50357	Cotter Pin S.S.	2
16	ST65112	3/8" Washer S.S.	2
17	ST65096	Bolt, 1/4"-20 x 1/2" Serr. S.S.	4
18	ST65098	Bolt, #10-32 X 5/8 Serr. S.S. Flange Bolt	2
19	ST50344	Transmission 14.5:1	1
20	ST50677	Spinner Drive Cover	1
21	ST50325	Rivet, 3/16" x .354	8
22	ST50315	Motor 12VDC	1
23	ST50324	Motor Drive Coupler	1
24	ST50308	Caution Label, Read Operator Manual	2
25	ST50306	Warning Label - Moving Parts	2
26	ST50672	Trans Mount Weldment	1
27	ST50327	Grommet	2
28	ST65108	Screw, 1/4"-20 X 1-1/4" Phil Pan S.S.	4
29	ST50331	Spinner Plate, 10"	1
30	ST50332	Flite Adjuster	4
31	ST50356	Tension Spring	4
32	ST65116	1/4" Washer S.S.	5
33	ST65099	5/16" Nylock Nut S.S.	5
34	ST50299	Hitch Mount	1
35	ST65183	Bolt, 1/2-13x1-1/2 S.F. S.S.	4
36	ST50342	Gate Slide	1
37	ST65103	Bolt, 1/4"-20 X 2-3/4" Hex Head S.S.	1
38	ST50348	Spring, .480 X .074 X 2.50 S.S.	1
39	ST65167	1/4"-20 X 1-3/8" Hex Head S.S. Bolt	1
40	ST50345	Linear Actuator, 1" Stroke	1
41	ST50339	Actuator Adapter	1
42	ST50336	Actuator Link Arm	1
43	ST50340	Actuator Mounting Bracket	1
44	ST65102	Washer, 3/8" SAE Flat Nylon	4
45	ST50329	Gate Linkage Spacer S.S.	1
46	ST50337	Pivot Link	1
47	ST50338	Gate Slide Arm	1
48	ST65100	Bolt, Gate Linkage Shoulder S.S.	2
49	ST50341	Gate Slide Stop	1
50	ST50830	Lock Knob	1
51	ST50674	Hopper Support Frame	1
52	ST65224	1/4"-20 X 1" S.S. Hex Bolt	4
53	ST65115	1/4"-20 S.S. Nylon Lock Nut	8
54	ST65120	Bolt, 1/4"-20 x 5/8" Hex S.S.	4
55	ST50817	Mounting Bracket	1
56	ST48547	Control Module, Rear Assembly	1
57	STSerialTag	Serial Tag	1
Not Shown	ST50371	Hopper Cover	1
Not Shown	ST50939	Controller Harness	1
Not Shown	ST50824	Motor Harness	1
Not Shown	ST50313	John Deere Decal	1
Not Shown	ST50832	J1393 Term Plug	1
Not Shown	ST50833	Receptacle Dust Cap	1
Not Shown	ST50978	Plug Dust Cap	1